



Owner's Manual



1017 SW Berg Parkway
Canby, OR 97013
Phone: 503.266.2231
Toll Free: 800.824.4387
www.srsmith.com



TABLE OF CONTENTS

aXs 1000/EU

INTRODUCTION	3
PRODUCT OVERVIEW.....	4
aXs PRODUCT COMPONENTS.....	5
Component Description	5
UNPACKING & ASSEMBLY INSTRUCTIONS	7
USING THE aXs	8
TRANSFERRING.....	8
POOL DECK INSTALLATION	9
BATTERY CHARGING.....	10
ACCESSORIES.....	11
MAINTENANCE AND CLEANSING	12
TROUBLE SHOOTING	12
LONG TERM STORAGE	13
WARRANTY INFORMATION.....	13
BATTERIES AND BATTERY DISPOSAL	15
SPECIFICATIONS	16
1. Dimensions/Capacity	16
2. Actuator	16
3. Motor.....	16
4. Battery.....	16
5. Range of Motion Information.....	16
6. Noise	16
7. Materials and Finish Information.....	17
PARTS LIST	17

INTRODUCTION

The purpose of this document is to provide information relating to the safe operation, care, and maintenance of the **aXs 1000/EU**.

Intended Lift User:

All of S.R. Smith's lifts have been designed to assist anyone who has problems entering or exiting a swimming pool or spa - the only restriction is that the User does not exceed the weight limit of the product (300 lb/136 kg to 400 lb/181 kg depending upon model). It is the responsibility of the lift Owner to ensure that the correct safety procedures have been put in place and a risk assessment carried out. If a User is mentally challenged or has severe physical disabilities these issues must be taken into account to determine the number of persons required to complete the transfer onto the seat and the number of persons required to be in the water, ready to receive the User. The correct stabilizing system (seat belt or stability vest) must be attached to the seat and fully fastened and used during each transfer.

Our goal is to provide our customers with the most advanced and innovative designs offering exceptional quality at affordable prices. All of our lifts meet the specifications set forth by the Access Board - ADAAG 2004 (US only), Medical Device Directive, and ISO10535:2006 including repeating the lifting cycle of the hoist (lift) for a total of 11,000 cycles. The lift system and AC powered battery charger complies with EN60601-1-2, 2007/03.

US Patent No. 5,790,995

aXs and the aXs logo are registered trademarks of S.R. Smith, LLC.

Model / Product No. _____
Product Name


S.R. Smith, LLC PO Box 400 1017 SW Berg Parkway Canby, Oregon 97013 USA Phone: 503-266-2231 Fax: 503-266-4334 www.srsmith.com Made in USA
SN S
EC REP
QNET B.V. Hommertenweg 286 6436 AM Amstenrade The Netherlands qnet@ce-mark.com qnet@ce-authorizedrepresentative.eu
  
24 VDC



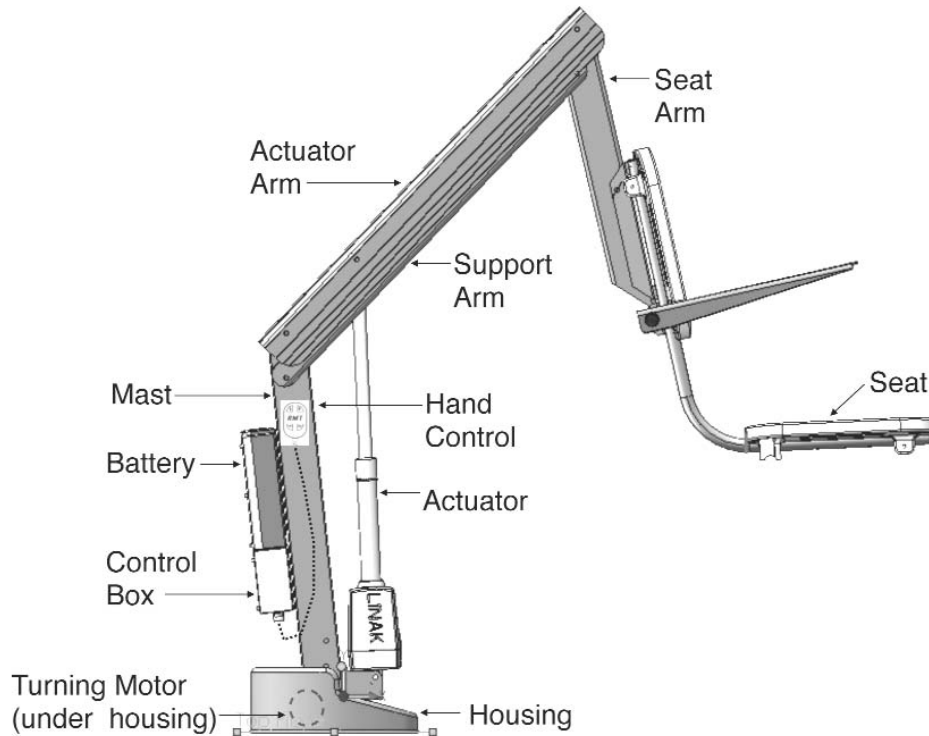
aXs AQUATIC LIFT SYSTEM

Product Overview

The aXs Aquatic Lift is a semi-portable lift system designed so that individuals with disabilities and mobility impairments can have universal access to residential, hospitality and multiunit facility swimming pools or spas. The aXs is powered by a 24 volt rechargeable battery operated by a screw driven electronic actuator that provides the lifting and turning motions. S.R. Smith has designed the safest possible lift system, following all instructions in the owner's manual, and all product labels is necessary to achieve safe, reliable and proper performance of the lift and avoid injury. This design ensures consistent safe operation and minimizes service problems.

The aXs has a mast height of 36"/92 cm above the deck, provides 360° rotation and is intended to be used with simple pool gutter configurations having a deck to water distance of no more than six inches. Although the aXs must be operated from a stationary deck anchor it can be transported using the aXs Caddy. The Caddy is designed to facilitate lifting the aXs out of the deck anchor and also serves as a storage rack when the lift is not needed. The maximum lift capacity for aXs is 300 lb/136 kg. Only persons healthy enough for water activities should use the aXs. Users should consult with their physician to determine if water activities are appropriate for the User.

aXs - PRODUCT COMPONENTS



aXs 1000

Component Description

The lift is made up of several components:

Base Assembly - Mounts to the pool deck contains the turning elements of the lift.

Base Insert Stem - Slides into the anchor sleeve that is installed on the pool deck.

Mast - The main vertical component of the lift.

Actuator Arm - Primary lifting arm of the lift connects the mast to the seat arm and is raised by the attached actuator.

Support Arm - Provides stability for the seat arm.

Seat Arm - Provides an attachment point for the seat assembly and nests inside the actuator arm to avoid pinch points.

Housing - ABS plastic cover with an acrylic cap shields base assembly components from weather. When cleaning the housing, be sure to use a clean, soft, non-abrasive material.

Actuator - Provides the up and down lifting action.

Rotation Motor Assembly – Consists of a mounting plate, 24-volt motor and small gear.

Control Box - Control Box - Controls lift operations. Three cables connect to rear of the Control Box. The largest connector is for the hand control. Connector # 1 is for the actuator cable (green stripe with the “o” ring). Connector # 2 is for the motor cable (red stripe).

Battery - The battery is located on top of the Control Box and is removable. It should be charged daily. Do not allow battery to fully discharge, as it will shorten battery life. Whenever battery is removed from Control Box or lift is not in use it is important to connect battery to charger. This ensures battery is fully charged and ready for use. The LCD indicator on the battery can be checked to determine the battery charge level.



Do not drop battery as it could cause the unit to fail. If battery case is cracked do not use and replace. Do not place battery on a conductive surface. Placing battery on a conductive surface may cause a short. Battery has contacts located on bottom of housing. During temperature extremes beyond the range of 41 F (5 C) to 104 F (40 C) remove battery and place in a controlled environment or battery life can be shortened.

Console/Battery Cover - Keep the Console/Battery Cover installed at all times to prevent moisture from collecting on the Control Box and battery. Excessive moisture collection can affect battery and lift performance and could lead to battery failure and/or the lift failing to operate. Whenever the battery is removed for charging the Console/Battery Cover must be placed over the Control Box to protect the unit from the elements.

Hand Control - The four button unit controls all lift movements. The arrows indicate direction of movement. Control is fully waterproof and meets IP67 standards.



Seating System - The seat is manufactured from roto-molded plastic with a stainless steel frame. There are two available forms of safety devices - the standard seat belt and optional stability vest. The seat has attachment points for both devices and both are easy to attach. Be sure to select the appropriate safety device for the intended User.

- It is recommended that people with limited or no body movement at or below the waist shall use the seat belt restraint when using the lift.
- It is recommended that people with limited or no body movement at or below the shoulders shall use the optional stability vest restraint when using the lift.

The seat belt or optional stability vest must be used during each use. The footrest is removable and will float upwards to prevent damage if the seat is lowered too far. It is recommended that the seat be rinsed off with fresh water between each use and cleansed daily with a disinfectant solution of 1:100 dilution of household bleach to fresh water and then rinsed with fresh water. In the event of a contamination incident such as patient/user excreta - cleanse seat and seatbelt or stability vest immediately with the above disinfectant solution. Do not use seat or seatbelt or stability vest if it is damaged or becomes worn out.

The optional armrests (US only - standard on export models) are designed for support when transferring onto the seat. They can be rotated up out of the way during transfer. If the lift did not include the optional arm rests (US only) they can be purchased separately and easily installed at a later date.

This lift seat assembly is designed to be used exclusively with S.R. Smith aquatic access lifts.

UNPACKING & ASSEMBLY INSTRUCTIONS

REFER TO THE DIAGRAM (page 5) FOR PARTS IDENTIFICATION.

READ THESE INSTRUCTIONS IN THEIR ENTIRETY BEFORE BEGINNING INSTALLATION

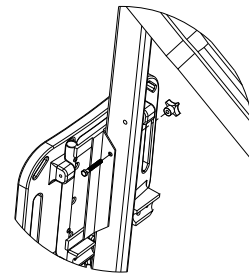
Prior to opening the shipping pallet, carefully inspect the external condition of the shipping materials for any visible damage. It is important that any damage be noted on the Bill of Lading prior to signing for the delivery. Contact either S.R. Smith or your dealer immediately to notify us of any damage or missing parts.

Ensure mounting anchor has been installed in the correct location in the pool deck for proper lift operation. It is recommended that the anchor be installed by a person familiar with installing pool deck equipment.

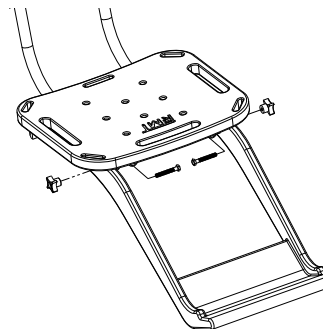
The aXs is shipped on a covered pallet and is mostly assembled; no tools are required for installation and set up. Position pallet close to deck anchor for easier assembly and set up.

Unpacking & Assembly Procedure for the aXs:

1. Carefully remove plastic covering from pallet.
2. Carefully remove any wood bracing from pallet.
3. Remove seat assembly and set aside for attachment.
4. Remove lift from pallet and place into deck anchor.
5. Remove and unwrap hand control from accessory carton. Insert plug into large connector on the Control Box and hang hand control on handle. Make sure plug is secure.
6. Ensure pre-installed plugs are secure in sockets marked 1 and 2
7. Attach battery to Control Box.
8. Check up and down controls for proper operation.
9. Check side to side controls for proper operation.
10. Rotate lift so that the seat arm is positioned over the pool deck.
11. Attach seat assembly with bolt and thumbnut in appropriate hole. For storage, seat can be attached facing inward for less space.



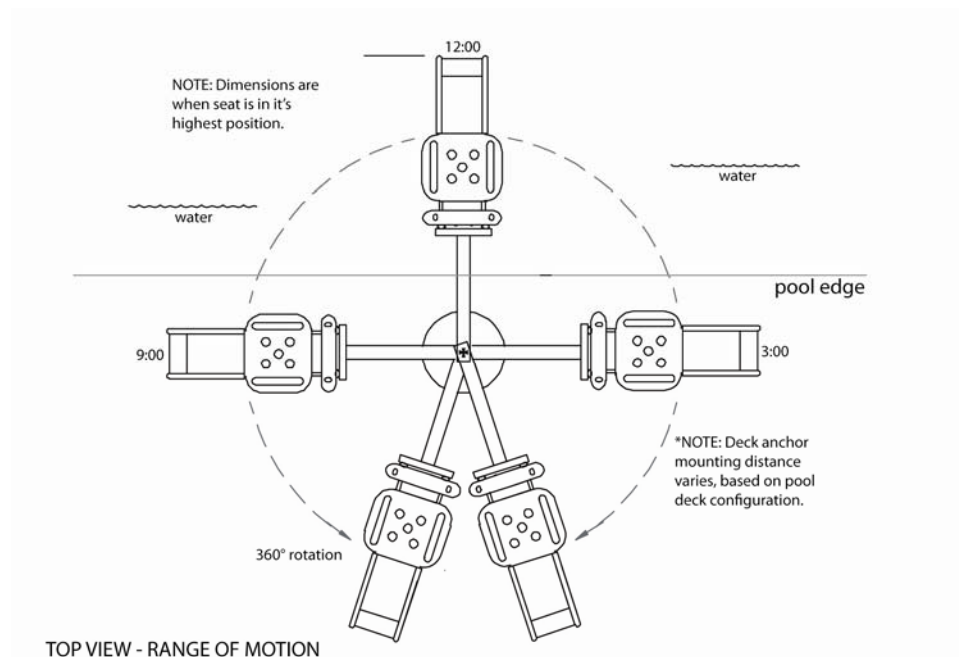
Attach foot rest to seat with bolts and thumbnuts.



USING THE aXs LIFT

Obey all User Instructions listed in the Owners Manual whenever using lift. Obey all Caution, Warning, Operating Instruction(s) and Labels located on the lift whenever using. It is the responsibility of the lift Owner to ensure that the correct safety procedures have been put in place and a risk assessment carried out. If a User is mentally challenged or has severe physical disabilities these issues must be taken into account to determine the number of persons required to complete the transfer onto the seat and the number of persons required to be in the water, ready to receive the User. If the aXs will be used by a disabled person living on their own, a communication device should be installed in the area of use to call for assistance in the event of an emergency. Only persons healthy enough for water activities should use the aXs. Users should consult with their physician to determine if water activities are appropriate for the User. Keep fingers and hands clear of lift arms during use.

aXs Transferring Diagram



TRANSFERRING

Once the unit is positioned for use, use the following procedure to transfer to the seat and into the water. Only persons healthy enough for water activities should use the aXs. Users should consult with their physician to determine if water activities are appropriate for the User:

- Rotate the seat to either side of lift for best transfer position.
- Raise or lower the seat to proper transfer height.
- Transfer onto the seat, ensuring that the user's weight is centered on seat. Armrests can be rotated up if necessary (optional US/standard on export). If user has a wheelchair, keep the wheelchair close by for easy retrieval.
- Fasten Seat Belt - thread loose end of belt strap through buckle - pull tight - to close - press latch down on belt material.

- Or fasten optional Stability Vest - Position shoulder straps onto shoulders and attach straps to clips on bottom panel of the Stability Vest - pull shoulder straps tight.
- Raise seat to allow enough leg room for rotation.
- Rotate seat to the 12:00 position, over the water.
- Lower the seat into the pool. The waterproof hand control can remain connected to seat if swimmer is operating lift.
- Unfasten Seat Belt - grasp latch and lift up, pull loose end from latch.
- Or unfasten optional Stability Vest - unclip shoulder straps and transfer into water.
- When finished, return to the seat, ensuring user's weight is centered on seat.
- Fasten Seat Belt or optional Stability Vest.
- Raise seat to allow enough leg room for rotation.
- Rotate seat to original transfer position.
- Raise or lower seat to proper transfer height.
- Unfasten Seat Belt or optional Stability Vest.
- Transfer off of the seat.

IN CASE OF HAND CONTROL FAILURE

Lifting failure - In the event of a lifting failure, there are emergency control buttons built into the control box. Use a blunt object, like the cap of a ball point pen, to press the appropriate up or down emergency button located above the LCD Display on the control box.

If the aXs will be used by a disabled person living on their own, a communication device should be installed in the area of use to call for assistance in the event of an emergency.

POOL DECK INSTALLATION FOR THE aXs ANCHOR

Ensure mounting anchor has been installed in the correct location in the pool deck for proper lift operation. It is recommended that the anchor be installed by a person familiar with installing pool deck equipment.

The optimal mounting distance for the deck anchor is between 12"/30.5 cm to 18"/46cm from the edge of the pool. The aXs is designed to be used with simple pool edge designs without protruding gutters. Please call S.R.Smith with any questions concerning deck anchor placement or if the aXs will work in your installation.



Deck Anchor

Installing an Anchor in a Concrete Deck

Follow these suggestions to make sure that your anchor is installed properly:

1. Determine the proper location to install the lift, making certain that the anchor location is within 12"/30.5cm to 18"/46cm from the pool edge.
2. Use a core drill to cut a hole into the deck. Be sure your hole is at least 5"/13cm in diameter. Make sure the hole is at least 7"/18cm deep. The hole may be deeper than the deck thickness but the depth is important to ensure that the anchor is totally encapsulated in cement.
3. Clean all debris from the hole.
4. Place the anchor into the hole. Important!! Use a level to be sure that the anchor is both plumb and flush with the surface of the deck.
5. Properly bond the anchor socket using the attached bonding screw and the appropriate grounding wire per local codes.
6. Mix anchoring cement, such as Rock It.
7. Fill cavity with anchoring cement. Be careful to keep cement out of the anchor.
8. Allow the cement to cure according to manufacturer's instructions.

BATTERY CHARGING

Connect the charging unit to the port located on the contact side of the battery. It is not necessary to fully discharge the battery prior to charging. Battery should be charged daily and cannot be overcharged. It takes two to four hours to fully charge depending upon battery usage. Do not allow battery to fully discharge, as it will shorten battery life. Whenever battery is removed from Control Box or lift is not in use it is important to connect battery to charger. This ensures battery is fully charged and ready for use.



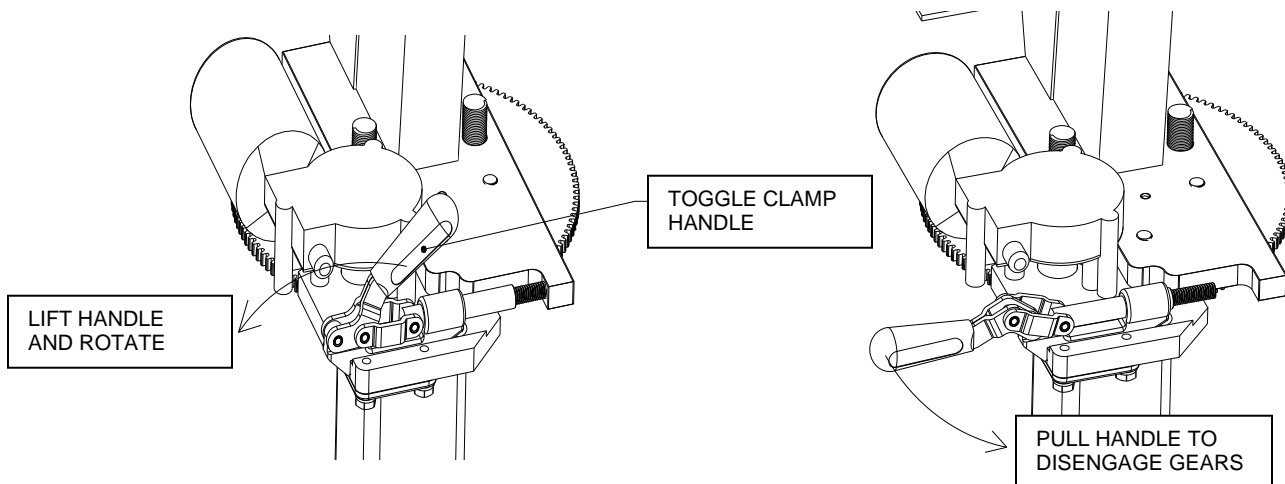
A fully charged battery will provide approximately 30 lifting cycles, depending on the weight of the users. The battery is fully charged prior to shipping, but should be checked by observing the LCD indicator, located on the Control Box, prior to use to ensure sufficient charge level.

Do not drop the battery, as it could cause the unit to fail. If the battery case is cracked do not use and replace. Do not place battery on a conductive surface. Placing battery on a conductive surface may cause a short. Battery has contacts located on bottom of housing. During temperature extremes beyond the range of 41 F (5 C) to 104 F (40 C) remove battery and place in a controlled environment or battery life can be shortened.

Keep the Console/Battery Cover installed at all times to prevent moisture from collecting on the Control Box and battery. Excessive moisture collection can affect battery and lift performance and could lead to battery failure and/or the lift failing to operate.

IN CASE OF BATTERY FAILURE

Turning failure - If the lift will not turn electronically, remove the housing cover and locate the toggle clamp (red handle). Pull upward on the handle and rotate until the handle is horizontal. With the handle in the horizontal position, pull on the handle to rotate the assembly in the clockwise direction. This will disengage the gears and allow the lift to be turned manually. Follow the preceding process in reverse to reengage the gear assembly.



If the aXs will be used by a disabled person living on their own, a communication device should be installed in the area of use to call for assistance in the event of an emergency.

BATTERY DISPOSAL

The battery is recyclable and shall be disposed of in accordance with applicable local, state/provincial or federal/national regulations.

STANDARD ACCESSORIES/OPTIONAL ACCESSORIES

The following items are included with all pool lift models:

- Console/Battery Cover - Protects battery and control unit from exposure to moisture.
- Seat Belt Assembly - Nylon water-resistant belt for added security.
- Battery/Charger – 24-volt rechargeable battery.

Optional accessories may be purchased for your aXs lift through your Authorized Reseller. The following accessories are available:

Stability Vest - P/N 900-2000: Five point restraint for individuals who need higher degree of stability than provided with standard seat belt.

Total Cover - P/N AX9000: Made of weather resistant nylon material to keep unit protected from elements when not in use.

Arm Rest Assembly – P/N AX2320: Powder coated stainless steel arm rests for increased sense of security.

Spine Board Attachment - P/N 500-1000: Can be used to convert lift for use with any standard spine board. (Spine Board not included)

Seat Pad - P/N 890-1000: Waterproof seat pad designed to enhance comfort during transfer.

Anchor & Cap – P/N 300-6200 - Standard square deck anchor measures 2.875”/ 7.30 cm OD, 2.75” / 6.98 cm ID. Includes cap and bonding screw.

MAINTENANCE and CLEANSING

Minimal maintenance will prolong the life of your lift. Keep all electronic components clean and dry. Keep the Console/Battery Cover installed at all times to prevent moisture from collecting on the Control Box and battery. Excessive moisture collection can affect battery and lift performance and could lead to battery failure and/or the lift failing to operate. If the lift is used outdoors, an optional full cover is available and recommended.

Owners of lifts should be aware of any applicable local, state/provincial or federal/national regulations regarding the inspection and or testing of lifts.

The following schedule shall be performed to insure proper operation with the Daily items performed before each use:

Maintenance Performed	Daily	Weekly	Monthly
Check battery level before each use / Charge battery daily	✓		
Wipe Control Box and battery connection with a clean dry rag	✓		
Examine lift for any damage, loose or missing hardware	✓		
Test for normal operation	✓		
Spray gear assembly with a heavy-duty rust inhibitor/lubricant such as LPS 3 - Heavy-Duty Inhibitor		✓	
Make sure all cable connections are properly secured			✓
Inspect lift frame, mast, support arm and seat assembly for rust			✓
Cleansing Performed – after each use			
Rinse seat and seatbelt/stability vest with fresh water between each use - Cleanse seat and seatbelt/stability vest with a disinfectant solution of 1:100 dilution of household bleach to fresh water and then rinse with fresh water and dry entire lift daily. In the event of a contamination incident such patient/user excreta - cleanse seat and seatbelt/stability vest immediately with the disinfectant solution*	✓		
Cleanse all battery connections with a nylon scouring pad			✓
Cleanse all metallic surfaces with a cleaner wax to maintain the finish of the lift			✓

* When using the disinfection solution avoid direct contact with the skin and eyes. In the event of a contamination incident - immerse the seat belt or stability vest in the disinfection solution for 10 min. and then rinse thoroughly with fresh water.

TROUBLE SHOOTING

Be sure the battery is fully charged before troubleshooting.

Lift does not rotate

Does lift raise or lower?

Yes.

1. Check connection to Control Box. Be sure plug is pushed in all the way.
2. Check hand control connection to Control Box for damaged pins.
3. Check connections on terminal block located on frame for loose wires.
4. Check connection cable for damage.

5. Reverse the motor cables as follows: Locate the area on the Control Box where the cables are attached. Remove the actuator cable from connector #1 and replace it with the 24v motor cable from connector #2. Activate the up and down buttons on the hand control. If lift rotates, the problem is likely the hand control. If lift does not rotate, the problem is likely the 24v motor. If this happens contact your Authorized Reseller or S.R. Smith for replacement information.

Does lift raise or lower?

No.

1. Check battery charge level.
2. Check battery connection.
3. Use another fully charged battery. If lift continues to not function, replace the Control Box.

Lift does not Raise or Lower

Does lift rotate?

Yes.

1. Check connection to Control Box. Be sure plug is pushed in all the way.
2. Check hand control connection to Control Box for damaged pins.
3. Check connection cable for damage.
4. Locate Emergency Buttons on top of Control Box. Activate these buttons using a ball point pen. If lift operates properly, the problem is likely the hand control. If lift does not operate properly, the problem is likely the actuator.

Does lift rotate?

No.

1. Check battery charge level.
2. Check battery connection.
3. Use another fully charged battery. If lift does not function, replace the Control Box.

LONG-TERM STORAGE

When storing the lift for an extended period of time:

- Wash seat with disinfectant solution and then rinse with fresh water and dry entire lift
- Spray gear assembly with a heavy duty rust inhibitor and lubricant such as LPS 3 - Heavy-Duty Inhibitor
- Keep the battery on the charger in a dry temperature controlled area
- Cover unit and store in a dry location away from pool chemicals

Questions/Comments - Contact us at 800.824.4387 or 503-266-2231 or info@srsmith.com. For information regarding Authorized Resellers worldwide visit www.srsmith.com

WARRANTY INFORMATION

S.R. Smith, LLC warrants to the original retail purchaser that products manufactured by S.R. Smith, when properly assembled and installed in accordance with S.R. Smith's assembly and installation instructions, and properly used and maintained, shall be free from defects in material and workmanship for a period of three (3) years from the date of original manufacture except for the following items: WetDek™ (1 year) and PoolSonix™ (2 years). The original retail purchaser must follow the procedure set forth below when submitting a warranty claim. S.R. Smith will repair or replace, at its option, the product, and return it to the owner freight prepaid. Determination of repair or replacement shall be solely at the discretion of S.R. Smith. Aquatic lift systems, components and batteries have a separate warranty, set forth below.

All Aquatic Lifting Systems have a three (3) year warranty on the frame, excluding the powder coated paint finish, which may become scratched with normal use. All electronic and motor components, with the exception of batteries, have a full two (2) year warranty. Within the warranty period, S.R. Smith will repair or replace any item deemed to be found defective. Lift batteries come with a one-year pro-rated warranty. During the first 90 days of ownership, batteries will be covered 100%. If a battery failure occurs between day 91 and day 365, batteries are covered at 50% of the original cost. Normal maintenance and care of the unit, including charging of the battery when not in use is recommended. Do not store the unit, battery or components near or around chemicals.

The warranty is non-transferable and is subject to the following terms and conditions ([View complete S.R. Smith Terms & Conditions](#)):

S.R. Smith shall not be responsible for the cost of removal or replacement of any defective S.R. Smith product, nor for any other expenses or for damages which might be incurred in such removal and replacement.

This warranty specifically excludes fading of materials, microbiological staining of diving boards or pool slides and rust or corrosion of any metallic products or parts. Refer to S.R. Smith care and maintenance instructions for regular maintenance and cleaning of S.R. Smith Products. Maintenance instructions can be found at www.srsmith.com/care.php.

This warranty relates only to defects in materials and workmanship and does not include damage or failure resulting from other causes, including, but not limited to Acts of God, misuse or abuse, accident or negligence, fire, improper assembly or installation, chipping or flaking of powder or vinyl coatings, or ice damage. Damage induced by the improper use of chemicals is not covered by this warranty. In the event that products are altered or repaired by anyone without the prior written approval of S.R. Smith, all warranties are void.

IMPORTANT: WEIGHT LIMIT ON DIVING BOARDS, JUMP BOARDS, STANDS, SLIDES, LADDERS AND LADDER STEPS SHALL BE NOT MORE THAN 250 POUNDS. EXCEPTIONS: FRONTIER IV BOARD AND BASE NOT MORE THAN 400 POUNDS. TURBOTWISTER AND TYPHOON SLIDES NOT MORE THAN 275 POUNDS. CYCLONE SLIDE NOT MORE THAN 175 POUNDS. VORTEX SLIDES NOT MORE THAN 325 POUNDS.

S.R. Smith shall not be liable for any consequential, special or incidental damages, including, but not limited to any damages for loss of use of pools or injury to person or property, and any claims therefore are hereby specifically disclaimed and excluded. Some states do not allow the exclusion or limitation of incidental, special or consequential damages, so the above limitation or exclusion may not apply to you. This warranty gives you specific legal rights and you may also have other rights, which may vary from state to state. The warranty is extended to, and enforceable only by the original retail purchaser.

If any S.R. Smith products fail during the warranty period as a result of a defect in material or workmanship covered by this warranty, the original retail purchaser must notify S.R. Smith via www.srsmith.com/warranty.php. This notice from the original retail purchaser must contain all pertinent product information as outlined in the warranty claim form. S.R. Smith will determine if the product is to be returned to the factory or will ask that (1) the defective area and (2) the part of the product stamped with the serial number be removed and returned. Product pieces must be cleaned and returned freight prepaid to S.R. Smith's facility at either 1017 SW Berg Parkway, Canby, OR 97013 or 105 Challenger Drive, Portland, TN 37418 as determined by S.R. Smith.

THE WARRANTY SET FORTH HEREIN IS IN LIEU OF ALL OTHER WARRANTIES, EXPRESSED OR IMPLIED, WHICH ARE HEREBY DISCLAIMED AND EXCLUDED, INCLUDING WITHOUT LIMITATION ANY WARRANTY OF MERCHANTABILITY OR FITNESS FOR A PARTICULAR PURPOSE OR USE.

THE SOLE AND EXCLUSIVE REMEDIES FOR BREACH OF ANY AND ALL WARRANTIES WITH RESPECT TO THE PRODUCTS SHALL BE LIMITED TO REPAIR OR REPLACEMENT AT S.R. SMITH'S DESIGNATED FACTORY OR IN PLACE AT S.R. SMITH'S OPTION. IN NO EVENT SHALL S.R. SMITH'S LIABILITY EXCEED THE ENTIRE AMOUNT PAID TO S.R. SMITH BY THE ORIGINAL PURCHASER FOR THE FAILED OR DEFECTIVE PRODUCT.

IN NO EVENT SHALL S.R. SMITH BE LIABLE FOR ANY INCIDENTAL, CONSEQUENTIAL, SPECIAL, INDIRECT, PUNITIVE OR EXEMPLARY DAMAGES OR LOST PROFITS FROM ANY BREACH OF THIS LIMITED WARRANTY OR OTHERWISE.

No representative of S.R. Smith, nor any of its agents, distributors or dealers has any authority to alter in any manner the terms of this warranty and S.R. Smith is not responsible for any undertaking, representation or warranty made by any other person beyond the warranty expressly set forth in this warranty.

Warranty Procedures

The S.R. Smith warranty becomes effective on the date of manufacture.

To initiate a warranty replacement, Please follow the process outlined below.

1. **Take photos of the damaged product.**
 - a) The photo must include the entire unit (i.e. board and stand or slide from a distance).
 - b) Also include one photo or more of the damaged area.
2. **Remove the serial # sticker from the product.**
 - a) S.R. Smith provides a serial # for every board, stand, slide and rail product we produce. The sticker with the serial number for our boards, stands and slides is a silver, 1" long rectangular sticker found on the side or bottom of the item. The serial # sticker for our rail products is clear and 2" long. It will be found on the inside of the topmost curve.
3. **Attach the photos and the serial # sticker to a written request for replacement under the S.R. Smith warranty.** Please include the following information:
 - a) Product name and description. (i.e.: board length/color, curve direction of slide, etc.)
 - b) Date of purchase and/or date of installation.
 - c) Description of damage.
 - d) Shipping address with a contact name and phone number.
4. **Return to us by mail the photos, serial # sticker and your written request to:**
S.R. Smith, LLC
PO Box 400
1017 SW Berg Pkwy
Canby, OR 97013
Attn: Warranty Specialist

**Please Note: Missing information will result in a processing delay and possibly denial of your claim.

Should you have any questions regarding this process, please contact
S.R. Smith's Warranty specialist at 800.824.4387 or email warranty@srsmith.com

Batteries

All batteries are inspected prior to shipment and should be free from defect. See warranty policy regarding battery replacement due to defect. Batteries have a normal lifespan of between 2-3 years, depending on use and care.

Battery should be charged daily. Do not allow battery to fully discharge, as it will shorten battery life. Whenever battery is removed from Control Box or lift is not in use it is important to connect battery to charger. This ensures battery is fully charged and ready for use.

Do not drop the battery, as it could cause the unit to fail. If the battery case is cracked do not use and replace. Battery has contacts located on the bottom of the housing. Do not place on a conductive surface that can cause a short. During temperature extremes beyond the range of 41 F (5 C) to 104 F (40 C) remove battery and place in a controlled environment.

Keep the Console/Battery Cover installed at all times to prevent moisture from collecting on the Control Box and battery. Excessive moisture collection can affect battery and lift performance and could lead to battery failure and/or the lift failing to operate.

BATTERY DISPOSAL

The battery is recyclable and shall be disposed of in accordance with applicable local, state/provincial or federal/national regulations.

SPECIFICATIONS

aXs 1000/EU

1. Dimensions/Capacity

Mast Height	32"/81 cm
Height-Arm Raised	56.5"/143.5 cm
Overall Length-extended	68.75"/174.6 cm
Storage Length-w/o chair	47"/19 cm
Unit Weight-inc. chair	81 lb/36.7 kg
Unit Weight-w/o chair	68 lb/30.8 kg
Power	24v DC
Battery Life	30 cycles (approx.)
Lifting Capacity	300 lb/136 kg
Anchor Reaction Load	
Vertical	380 lb/172 kg
Torque	1400 ft lb/1898 NM

2. Actuator

Type	Screw Type Mechanical Actuator
Maximum Thrust	1680 lb/7472N
Voltage	24v DC
Maximum Amp Draw	9
Maximum Speed	0.59 inch/sec./1.49cm/sec.

3. Motor

Rotation	24 VDC, 13 RPM
Gearing Ratio	9:1

4. Battery

Power	24 VDC, IP65 Gel Lead Acid
Temperature Range	41 F (5 C) to 104 F (40 C)

5. Range of Motion Information

Vertical Travel	46"/117 cm
Rotation	Continuous
Widest Arc-inc. chair	61"/155 cm
Narrowest Arc-inc. chair	51"/129.5 cm

6. Noise

Noise level below 50 dB (A), measured according to DS/EN ISO 3746"

7. Materials and Finish Information

Frame	Powder Coated Stainless Steel
Housing	Vacuum Formed ABS Plastic
Arms	Powder Coated Aluminum
Mast	Powder Coated Stainless Steel
Seat Assembly	Seat: Roto-Molded Plastic Frame: Powder Coated Stainless Steel
Covers	Urethane coated nylon

PARTS LIST

Part Number	Description
AX5001	LA34 Actuator
100-1000A	Control Box
100-2000	Battery
100-3500	Battery Charger
100-4000A	Hand Control
AX1430	Hand Control Hanger
120-1100	24v Motor
120-1800	Motor Cord w/ O ring
100-3100	Battery Bracket
AX2000	Mast
AX2100	Actuator Arm Assembly
AX2200	Support Arm Assembly
AX2300	Seat Arm
AX2400A	Seat Assembly
AX2450	Seat Back/Bottom
AX3000	Large Gear
800-5065	Small Gear
800-5066	Toggle Clamp
AX4000	aXs Housing Back
AX4050	aXs Housing Front
AX9002	aXs Battery Console Cover (Green)
AX9003	aXs Seat Belt Assembly (Gray)
AX8360	Long Bushings
AX8340	Short Bushings
AX8000	Sidewalk Bolt
AX8400	Threaded Shaft-Long
AX8500	Threaded Shaft-Short
AX8800	Speed Nut
300-6200	Deck Anchor
AX3600	Hub/Spindle Assembly
AX2320	Arm Rest
900-2000	Stability Vest
AX9000	aXs Total Cover (Green)
500-1000	Spine Board Attachment